



TOP ELECTRONIC INDUSTRY CO., LTD.

www.topecind.com

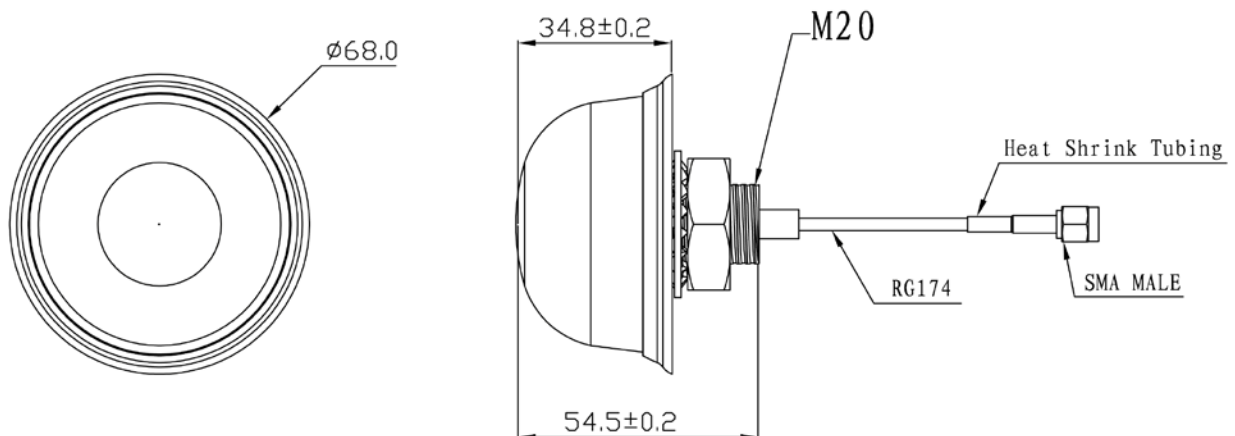
www.top-elecomponents.com

GPS Active Antenna

TOP-GPS09



DIMENSIONS



Unit: mm

TOP ELECTRONIC INDUSTRY CO.,LTD

Rm407 27th Bldg,Nanhua Zone,Huaqiangnan,Futian Dist,SZ,GD,China

Tel:+86-755-8281 5110

Fax:+86-755-8281 5220

Web: www.topecind.com

www.top-elecomponents.com



TOP ELECTRONIC INDUSTRY CO., LTD.

www.topecind.com

www.top-elecomponents.com

SPECIFICATIONS

Item		Specifications
Antenna	Center Frequency	1575.42 ± 1MHz
	Band Width	CF ± 5MHz
	Polarization	RHCP
	Gain	2dBic (Zenith)
	V.S.W.R	< 1.5
	Impedance	50 Ω
	Axial Ratio	3dB (max)
	Dimension	25*25*4mm
LNA	Gain	28 ± 2dB
	Noise Figure	< 1.5
	Filter Insertion Loss	< 3dB
	Ex-band Attenuation	12dB @ CF+50MHz/16dB @ CF-50MHz
	Supply Voltage	2.2~5V DC
	Current Consumption	5~15mA
	V.S.W.R	< 2.0
Mechanical	Cable	RG174 or others
	Connector	SMA/MCX/FAKRA or others
	Radome Material	ABS
	Mounting Method	Screw
Environmental	Operating Temperature	-40°C ~ +85°C
	Relative Humidity	Up to 95%
	Ingress Protection	IP67 (exclude cable outlet)
	Vibration	10 to 55Hz with 1.5mm amplitude 2hours
	Environmentally Friendly	ROHS Compliant

TOP ELECTRONIC INDUSTRY CO., LTD

Rm407 27th Bldg, Nanhua Zone, Huaqiangnan, Futian Dist, SZ, GD, China

Tel: +86-755-8281 5110

Fax: +86-755-8281 5220

Web: www.topecind.com

www.top-elecomponents.com

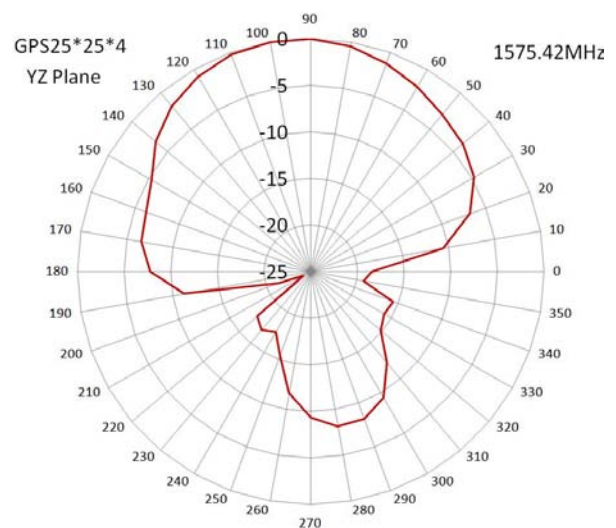
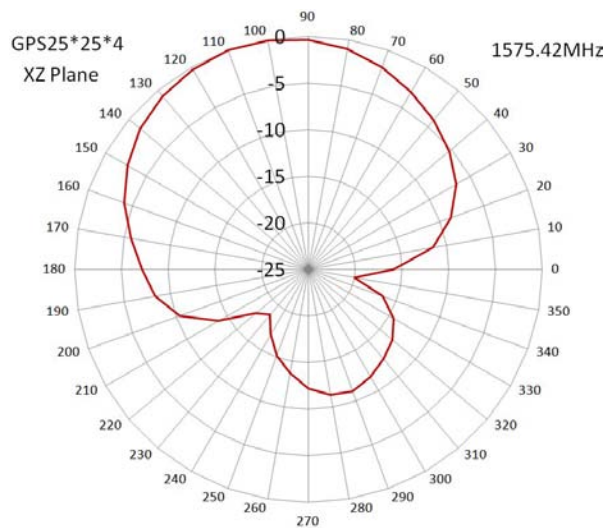
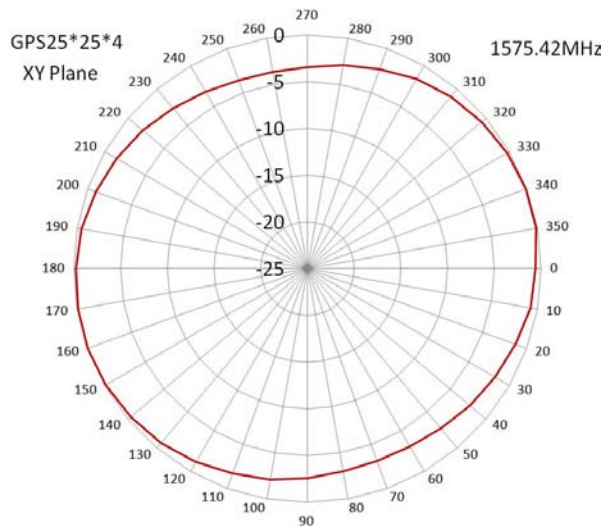


TOP ELECTRONIC INDUSTRY CO., LTD.

www.topecind.com

www.top-elecomponents.com

Radiation Pattern



TOP ELECTRONIC INDUSTRY CO.,LTD

Rm407 27th Bldg,Nanhua Zone,Huaqiangnan,Futian Dist,SZ,GD,China

Tel:+86-755-8281 5110

Fax:+86-755-8281 5220

Web: www.topecind.com

www.top-elecomponents.com