

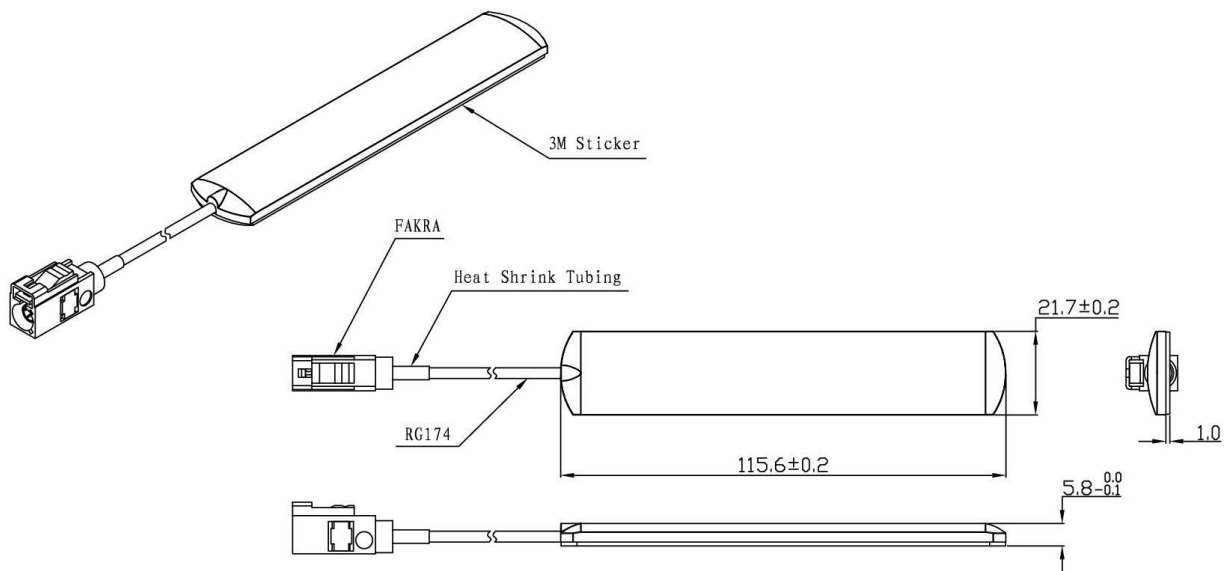


# GSM Antenna

## TOP-GSM02



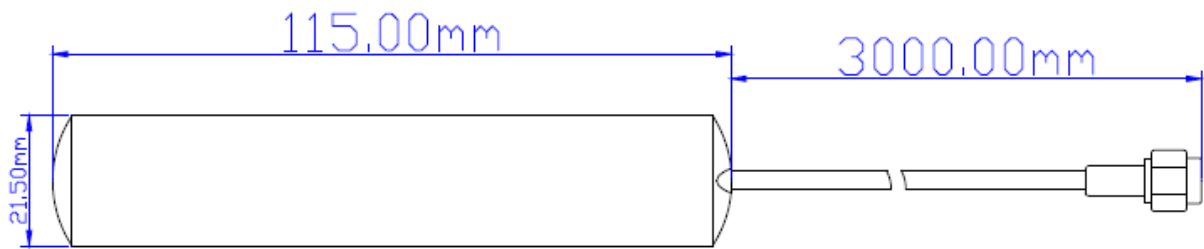
### DIMENSIONS



Unit: mm



TOP ELECTRONIC INDUSTRY CO., LTD.  
[www.topecind.com](http://www.topecind.com) / [www.top-elecomponents.com](http://www.top-elecomponents.com)



## SPECIFICATIONS

Item		Specifications
Antenna	Frequency Range	824~960/1710~2170MHz
	Polarization	Linear
	Gain	3 dBi
	V.S.W.R	<2.0
	Impedance	50Ω
	PCB Dimension	115*22*4mm
Mechanical	Cable	RG174
	Connector	SMA / FAKRA or others
	Radome Material	ABS
	Mounting Method	Adhesive
Environmental	Operating Temperature	-40°C ~ +85°C
	Relative Humidity	Up to 95%
	Vibration	10 to 55Hz with 1.5mm amplitude 2hours
	Environmentally Friendly	ROHS Compliant

TOP ELECTRONIC INDUSTRY CO.,LTD  
Rm407 27th Bldg,Nanhua Zone,Huaqiangan,Futian Dist,SZ,GD,China  
Tel:+86-755-8281 5110  
Fax:+86-755-8281 5220  
Web: [www.topecind.com](http://www.topecind.com)